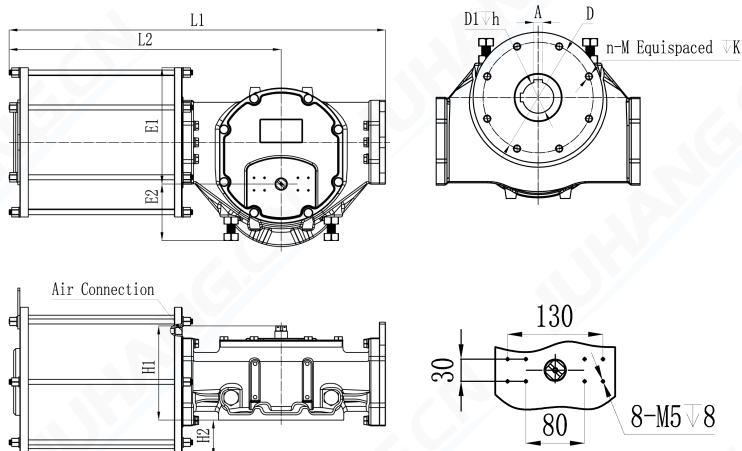


JHD2E0410YDA 90° DATASHEET



Reference Parameters		
Cylinder size	250	mm
Weight		kg
Air volume	Open	L
	Close	
Cycle speed	Open	s
	Close	
Pressure rang	3 up to 8	bar(g)
Media	Clean, dry and non-corrosive compressed air	
Temperature	High	-15 up to 150
	Standard	-20 up to 80
	Low	-40 up to 80
Flange	F16	
Stroke	90±5	°

> According to EN 15714-3 & ISO 5211

>The missing data in the above table will be updated gradually.

Dimensions in mm

Model	L1	L2	E1	H2	E2	H1	D1↓ h	A	n-M↓ K	D	Air connection
JHD2E0410YDA	794	582	239	66.5	74	204.5	φ60↓ 150	18	4-M20↓ 5	165	G1/2"

OUTPUT TORQUE (Unit:N.m)

Model	Air Supply Pressure in bar(g)											
	3.5			4			5			6		
	0°	45°	90°	0°	45°	90°	0°	45°	90°	0°	45°	90°
JHD2E0410YDA	2,461	1,360	2,461	2,812	1,554	2,812	3,515	1,942	3,515	4,218	2,331	4,218

OUTPUT TORQUE (Unit:lbf.in)

Model	Air Supply Pressure in psi											
	50			60			70			80		
	0°	45°	90°	0°	45°	90°	0°	45°	90°	0°	45°	90°
JHD2E0410YDA	21,449	11,851	21,449	25,739	14,221	25,739	30,029	16,591	30,029	34,319	18,961	34,319

Notes:

> 1 bar(g) = 14.5038 psi ; 1 N.m = 8.8507 lbf.in

> For further information regarding options , materials , certifications and additional execution please contact JUHANG's sales office.

> Flange and bi-square drive shall comply with ISO 5211 standard.

